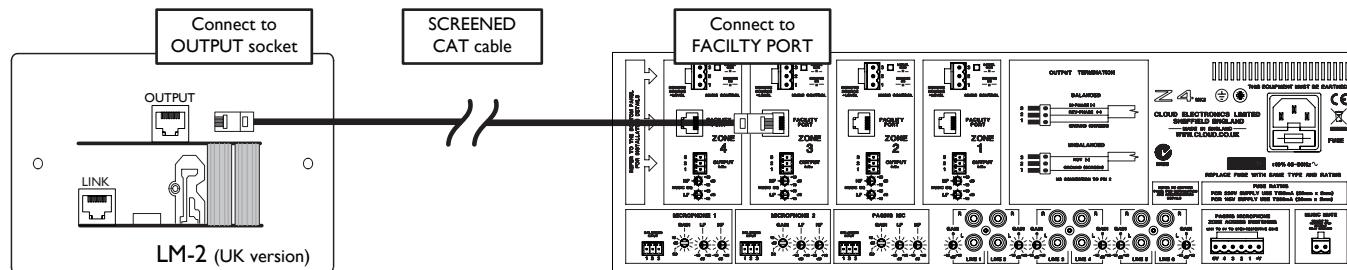


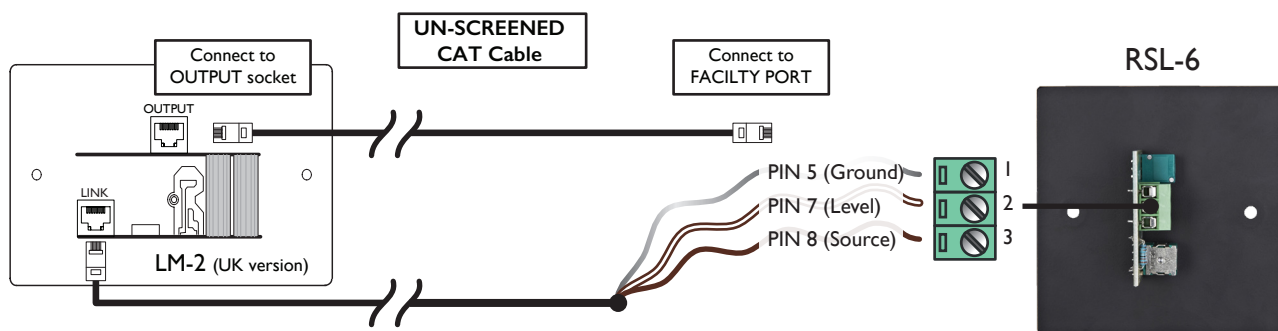
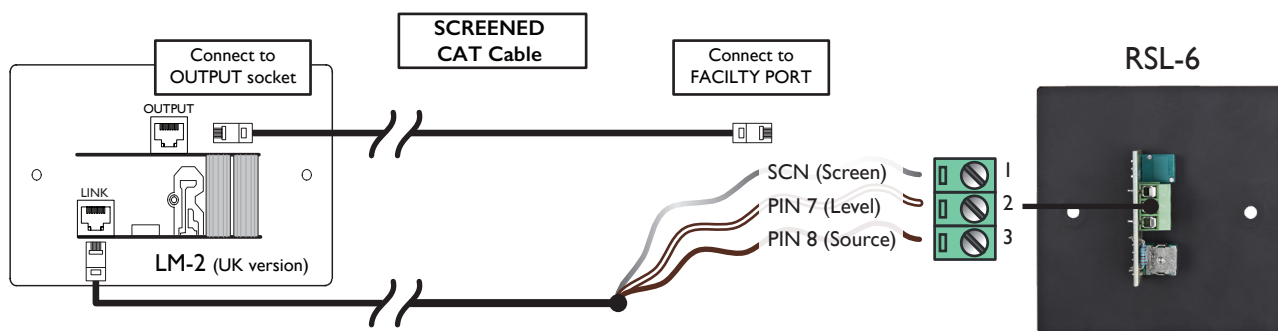
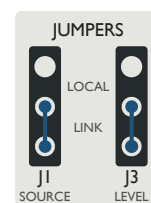
# Adding an extension RSL-6 to an LM-2

The LM-2's OUTPUT connector should be connected to the host unit's FACILITY PORT for the Zone in which it is installed with screened Cat 5 cable and shielded RJ45 plugs.

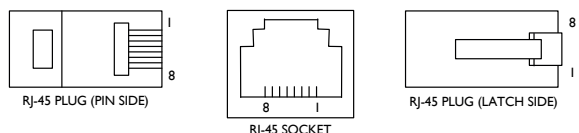


When linking either another LM-2 or adding RSL-6 Remote controls, you will need to move Jumpers J1+J3 to the link position on the LM-2.

This disables the LM-2's remote control capability; if you are adding an RL-1, only move Jumper J3.



**IMPORTANT:** Because the cables carry low-level audio, only screened Cat 5 should be used, the foil screen of the cable being bonded to the metal screening can of the plugs. If an LM-2 is being installed in very close proximity to the host unit, it may be possible to use ready-made screened Cat 5 "patch" cables of short length. In all other situations, shielded RJ45 plugs should be crimped onto the installed screened Cat 5 cable using the pin-out shown below:



| PIN | USE                                     | Cat 5 CORE      |
|-----|---|-----------------|
| 1   | Audio 'cold' phase (-)                  | White + Orange  |
| 2   | Audio 'hot' phase (+)                   | Orange          |
| 3   | Priority VCA control                    | White + Green   |
| 4   | +15 V                                   | Blue            |
| 5   | 0V                                      | White + Blue    |
| 6   | -15 V                                   | Green           |
| 7   | Music level control (0 to 10 V)         | White + Brown   |
| 8   | Music source select control (0 to 10 V) | Brown           |
| SCN | Screen for system music controls        | Connector shell |