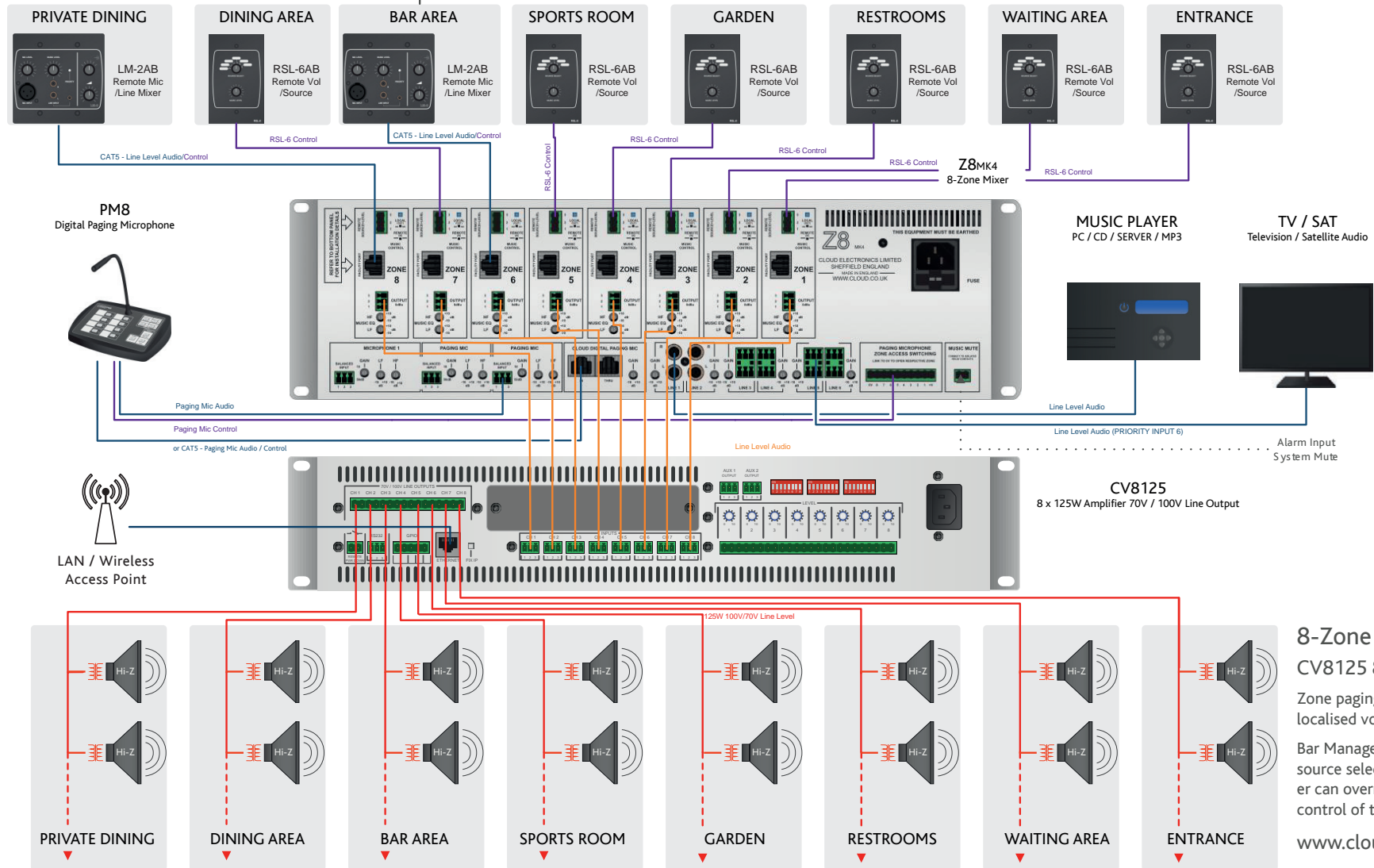


**BAR Manager**  
An additional RSL-6A could be used to override volume and source control for the Bar Area, even when a live band/DJ are connected to the house system.



**Venue Manager**  
A mobile device can be used by the Venue manager to control the CV-8125 amplifier, providing override/control of the entire system.





**8-Zone Bar / Restaurant**  
CV8125 8-Channel Amplifier

Zone paging for reception and localised volume / source selection.

Bar Manager can override volume and source selection with RSL-6. Venue Manager can override entire system with device control of the CV-8125 amplifier.

[www.cloud.co.uk](http://www.cloud.co.uk)

